



# PARK CITY SAILING ASSOCIATION

PO Box 981236, Park City, Utah 84098

[www.SAILpc.org](http://www.SAILpc.org) [info@ParkCitySailing.org](mailto:info@ParkCitySailing.org) (435) 631-2201

---

## Park City Sailing Association Tuesday Evening Dinghy Series

Spring Series - June 6<sup>th</sup> to July 25<sup>th</sup>, 2023

Summer Series – August 1<sup>st</sup> to September 26<sup>th</sup>, 2023

Overall Combined Series

Jordanelle State Park, Utah, USA

### Sailing Instructions (SIs)

Note: Competitors are reminded to read the Notice of Race (NOR), published at <https://sailpc.org/official-notice-board>, in conjunction with these SIs. The NOR addresses a number of rule changes that apply to this event.

If there is any inconsistency between these SIs and the NOR, the text in these SIs takes precedence,

#### 1 RULES

1.1 The event is governed by the rules as defined in *The Racing Rules of Sailing*, including modifications listed in the NOR.

#### 2 CHANGES TO SAILING INSTRUCTIONS

2.1 Any change to the sailing instructions will be posted before 0900 on the day it will take effect, except that any change to the schedule of races will be posted by 2000 on the day before it will take effect.

# PARK CITY SAILING ASSOCIATION

## 3 COMMUNICATION TO COMPETITORS

3.1 Notices to competitors will be posted on the official notice board located at <https://sailpc.org/official-notice-board>

3.2 From the first warning signal until the end of the last race of the day, except in an emergency, a boat shall not make voice or data transmissions and shall not receive voice or data communication that is not available to all boats.

## 4 CODE OF CONDUCT

4.1 Competitors and support persons shall comply with reasonable requests from race officials.

## 5 SIGNALS MADE ASHORE

5.1 Signals made ashore will be displayed at the dock next to the Personal Watercraft Ramp.

5.2 When flag AP is displayed ashore, '1 minute' is replaced with 'not less than 15 minutes' in Race Signals AP.

## 6 SCHEDULE OF RACES

6.1 The schedule of races is described in the NOR.

## 7 CLASS FLAGS

7.1 The Race Committee shall communicate the next class to start by hail and/or noticeboard on the signal boat starting no later than the attention signal for that class. Competitors should remain in the vicinity of the signal boat while awaiting such hails and/or postings.

## 8 RACING AREA

8.1 The racing area is the Jordanelle Reservoir, the start/finish line will be located in the area south of the Personal Watercraft Ramp.

# PARK CITY SAILING ASSOCIATION

## 9 COURSES

9.1 The courses are described in SI Addendum A.

9.2 The Race Committee shall communicate the course by hail and/or noticeboard on the signal boat starting no later than the attention signal for the next class to start. The noticeboard is described in Addendum C.

Competitors should remain in the vicinity of the signal boat while awaiting such hails and/or postings.

## 10 MARKS

10.1 Marks to be used are described below:

- 1) Orange balls (abbreviation "O")
- 2) A white ball (this may be set for the port end of the start/finish line)
- 3) A white mark with orange flag (this may be set for the port end of the start finish/line)
- 4) The white speed limit buoys located along the Northern shoreline of the racing area may be used as marks. When designating which speed limit buoy to use, the Race Committee shall specify the selected speed buoy as being "East 1" (abr. "SBE1), "East 2" (abr. "SBE2"), "East 3" (abr. "SBE3 etc.) and "West 1" (abr. "SBW1"), "West2" (abr. "SBW2"), "West 3" (abr. "SBW3" etc.) counting from the channel markers as "0". (The selected speed buoy may also be marked with a temporary cover.)
- 5) The port and starboard channel markers south of the Personal Watercraft Ramp may be used as marks, the Race Committee shall specify these as "Red" (abr. "R") or "Green" (abr. "G").
- 6) Additional permanent marks may be added during the season.

# PARK CITY SAILING ASSOCIATION

## 11 OBSTRUCTIONS

11.1 The following objects and line are designated as obstructions:

- 1) The start/finish line at the signal vessel, except:
  - a) for evenings when only one class is racing or all classes are starting together.
  - b) for boats from their class warning signal until they have started.
  - c) For boats approaching the line to finish until they have finished and cleared the line.
  - d) For boats sailing course HA (Harry Anderson).
- 2) Floating logs (because the full extent of semi-submerged logs is hard to determine, irrespective of their size they are defined as obstructions).

## 12 THE START

12.1 Races will be started using the Audible-Signal Racing System in RRS Appendix U, with amendments as listed in the NOR. This changes RRS 26.

This sequence is also described in SI Addendum B.

12.2 The start/finish line at the signal vessel is between a staff displaying an orange flag on the signal vessel at the starboard end and the course side of the port-end mark.

12.3 Boats whose warning signal has not been made shall avoid the starting area during the starting sequence for other races.

12.4 A boat that does not start within 3 minutes after her starting signal may be scored Did Not Start without a hearing. This changes RRS A5.1 and A5.2.

## 13 CHANGE OF THE NEXT LEG OF THE COURSE

13.1 These Sailing Instructions modify RRS 33 – after the start signal, without making any signals, the race committee may move either or both of the start/finish line marks while the race is in progress.

If the race committee moves the start/finish line marks during a race, the start/finish line shall be in position before the first boat passes the last mark of the course and not changed again until after the last boat has finished or the time limit has expired.

# PARK CITY SAILING ASSOCIATION

## 14 THE FINISH

14.1 The finish line is the same as the start line.

## 15 PENALTY SYSTEM

15.1 Penalties are as described in the NOR.

## 16 TIME LIMITS

16.1 The time limit is 15 minutes after the first boat finishes.

## 17 HEARING REQUESTS

17.1 The protest time limit is 30 minutes after the last boat in the class finishes the last race of the day or the race committee returns to the dock, whichever is later.

17.2 A request for a hearing may be handed to the Race Committee in hardcopy or sent by email to [RaceCommittee@ParkCitySailing.org](mailto:RaceCommittee@ParkCitySailing.org)

If sent by email the time stamp of delivery to the email box will be used to determine if the request was delivered within the time limit.

17.3 Protest hearings will be scheduled to take place no more than 14 days later than the date of the incident. These may be conducted using Zoom.

In the case of a hearing conducted over Zoom parties to the hearing will be given a minimum of 24 hours notice of the time and date of the hearing.

If unable to attend, a party to the hearing may request that a hearing be rescheduled, but not beyond the 14 day window. When requesting a rescheduled hearing the requesting party must propose a reasonable range of alternative dates and times.

Failure to participate in a hearing without a timely reasonable explanation will not be grounds for requesting redress.

## 18 SCORING

18.1 Scoring will be as described in the NOR.

## 19 SAFETY REGULATIONS

# PARK CITY SAILING ASSOCIATION

19.1 All competitors must wear a Personal Floatation Device (PFD) while on the water in accordance with Jordanelle State Park and USCG rules

19.2 A boat that retires from a race shall notify the race committee at the first reasonable opportunity.

## 20 TRASH DISPOSAL

Competitors and support person are reminded that overboard disposal of trash is not permitted. Violation of these rules will be considered grounds for protest.

## 21 PRIZES

21.1 Prizes will be given as described in the NOR.

## 22 RISK STATEMENT

22.1 RRS 3 states: 'The responsibility for a boat's decision to participate in a race or to continue to race is hers alone.' By participating in this event each competitor agrees and acknowledges that sailing is a potentially dangerous activity with inherent risks. These risks include strong winds and rough seas, sudden changes in weather, failure of equipment, boat handling errors, poor seamanship by other boats, loss of balance on an unstable platform and fatigue resulting in increased risk of injury. **Inherent in the sport of sailing is the risk of permanent, catastrophic injury or death by drowning, trauma, hypothermia or other causes.**

## 23 INSURANCE

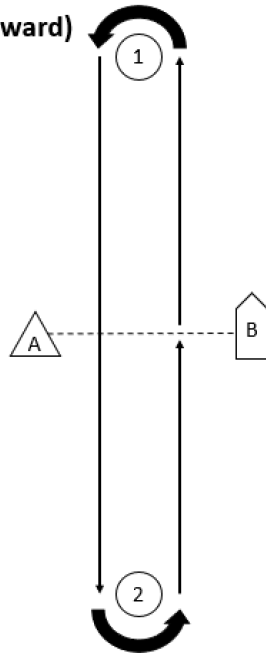
23.1 Each participating boat shall be insured with valid third-party liability insurance with a minimum cover of \$300,000 per incident or the equivalent.

# PARK CITY SAILING ASSOCIATION

## ADDENDUM A: Courses

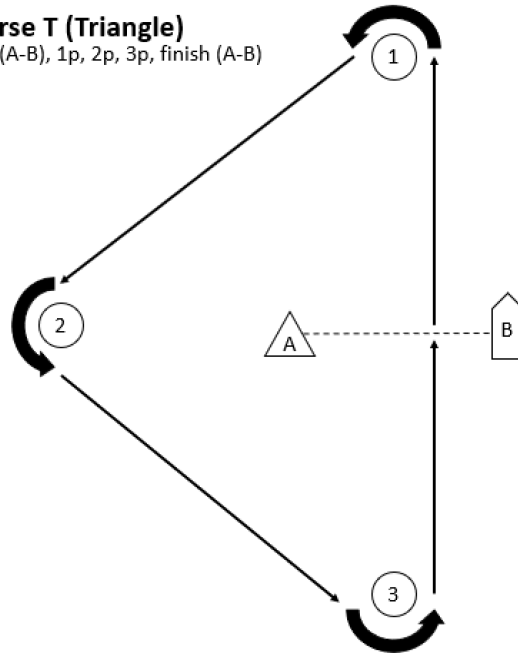
### Course W (Windward/Leeward)

Start (A-B), 1p, 2p, Finish (A-B)



### Course T (Triangle)

Start (A-B), 1p, 2p, 3p, finish (A-B)



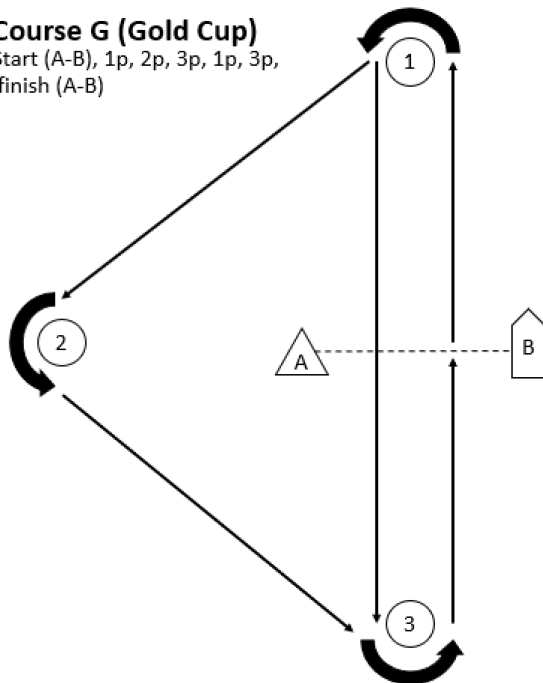
### VARIATIONS:

**Course W2 (Windward/Leeward Twice Around):** Start (A-B), 1p, 2p, 1p, 2p, Finish (A-B)

**Course T2 (Triangle Twice Around):** Start (A-B), 1p, 2p, 3p, 1p, 2p, 3p, Finish (A-B)

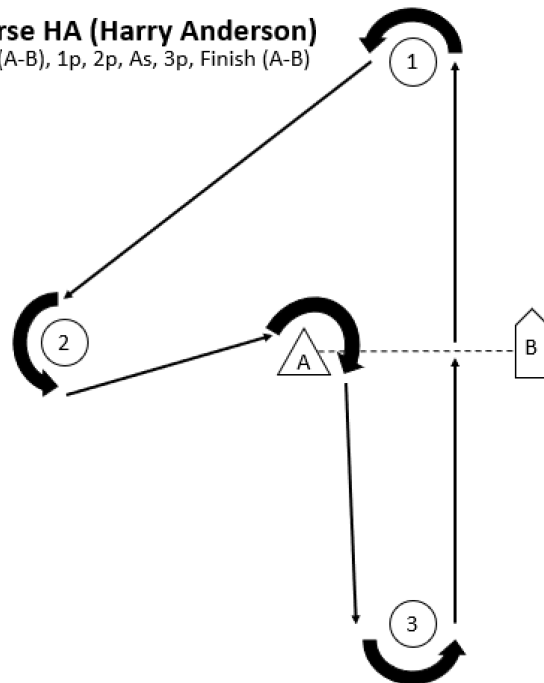
### Course G (Gold Cup)

Start (A-B), 1p, 2p, 3p, 1p, 3p, finish (A-B)



### Course HA (Harry Anderson)

Start (A-B), 1p, 2p, As, 3p, Finish (A-B)



# PARK CITY SAILING ASSOCIATION

## ADDENDUM B: Audible-Signal Racing System

<u>Signal</u>	<u>Sound</u>	<u>Time Before Start</u>
Attention	5 short	4 minutes
Warning	3 long	3 minutes
Preparatory	2 long	2 minutes
	1 long, 3 short	1 minute, 30 seconds
	1 long	1 minute
	3 short	30 seconds
	2 short	20 seconds
	1 short	10 seconds
	1 short	5 seconds
	1 short	4 seconds
	1 short	3 seconds
	1 short	2 seconds
	1 short	1 second
Starting	1 long	0 (Start)



# PARK CITY SAILING ASSOCIATION

## ADDENDUM C: Signal Boat Noticeboard

A noticeboard may be displayed on the starboard side or transom of the signal boat.

When in use, at or about the time of the attention signal, the noticeboard will display the class to start, the course to be sailed and identify any marks of the course that are not predetermined in Addendum A.

Examples of the noticeboard display with explanations are shown below:



**Class to start:** ILCA 7 (Laser Full Rig)

**Course to sail:** "W2" Windward/Leeward Twice Around

**Variable buoys:** 1 = "SBW3" Speed Buoy West 3  
2 = "O" Orange ball



**Class to start:** Elliott 6M

**Course to sail:** "G" Gold Cup

**Variable buoys:** 1 = "O" Orange ball  
2 = "O" Orange ball  
3 = "G" Green